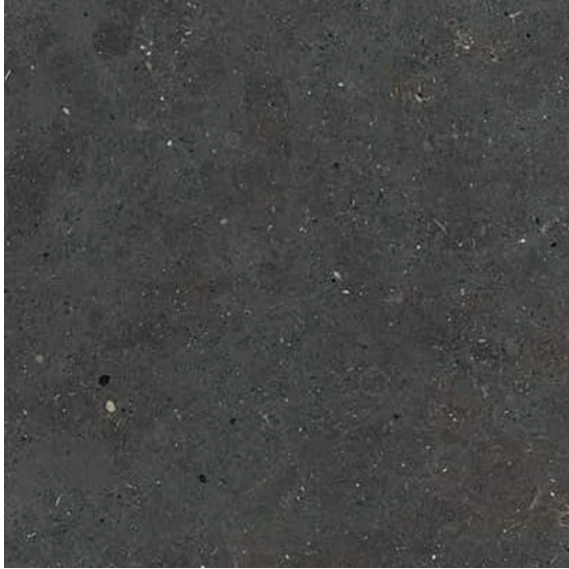


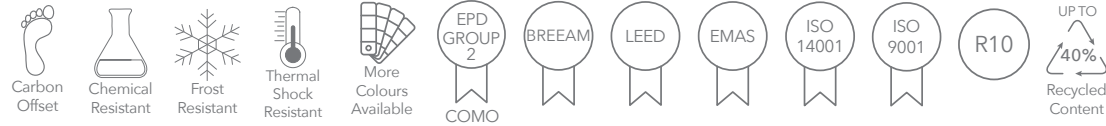
VT.600H

Our EPD Group 2 - Como Range for Floor & Wall comes in hundreds of different designs, colours, slip ratings and finishes. Much of the range is accredited to rigorous eco-friendly standards (including LEED/BREEAM etc) to help specifiers meet the sustainability goals of their clients.



Honed

Properties



Other formats



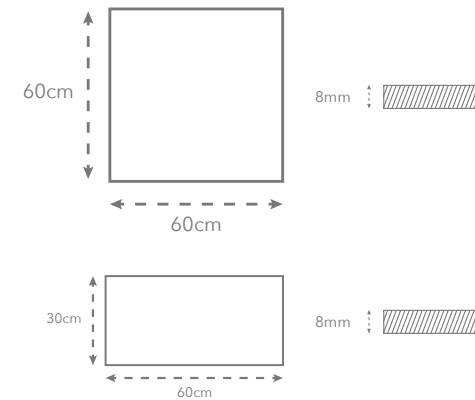
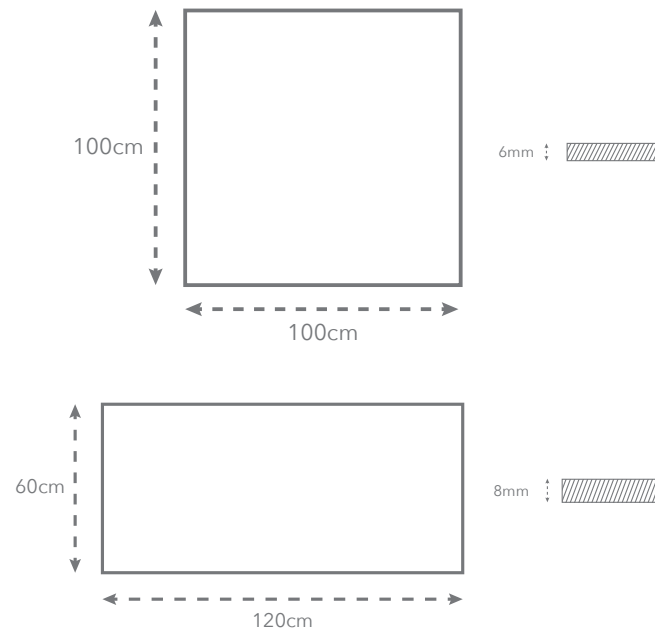
20mm
Paver



Bush
Hammered

Other finishes

Sizes available



MOBILE SAMPLE LIBRARY REFERENCE



Stone Look
Honed Finish
EPD Group 2 - Como Range

www.ecofriendlytiles.co.uk



ECO FRIENDLY TILES®
The planet, covered

Eco Friendly Tiles Ltd
Ground Floor, Solon House
40a Peterborough Road
London
SW6 3BN
0844 980 2233
info@ecofriendlytiles.co.uk

Technical Specification

Code: VT.600H



Eco Friendly Tiles Ltd
Ground Floor, Solon House
40a Peterborough Road
London
SW6 3BN
0844 980 2233
info@ecofriendlytiles.co.uk
www.ecofriendlytiles.co.uk

Physical & chemical properties	Norm/test method	Required Standard	Results
Thickness	EN ISO 10545-2	± 5.0% Max	± 5.0%
Length and Width	EN ISO 10545-2	±0.6% Max	± 0.1%
Linearity	EN ISO 10545-2	± 0.5% Max	± 0.1%
Rectangularity	EN ISO 10545-2	± 0.5% Max	± 0.1%
Surface Flatness	EN ISO 10545-2	± 0.5% Max	± 0.2%
Water absorption	EN ISO 10545-3	≤ 0.5%	≤ 0.01%
Modulus of Rupture	EN ISO 10545-4	≥ 35 N/mm ²	49 N/mm ²
Resistance to Deep Abrasion	EN ISO 10545-6	≤ 175 mm ³	140 mm ³
Thermal Expansion Coefficient	EN ISO 10545-8	-	< 6.5*10 ⁻⁶ °C ⁻¹
Thermal Shock Resistance	EN ISO 10545-9	-	Resistant
Frost Resistance	EN ISO 10545-12	-	Compliant
Resistance to Chemicals	EN ISO 10545-13	UB Minimum	A, LA, HA
Resistance to Stains	EN ISO 10545-14	-	Class 5
Colour Resistance to Light	DIN 51094	-	No change in Brightness or Colour
Slip Resistance	DIN 51130	-	R10
	BS 7976-2:2002 Pendulum	-	-
Reaction to Fire	Decision 96/603 CE	-	A1-A1 _{FL}

Certifications



This technical information sheet is not a guarantee of performance and is not a warranty, either explicit or implicit. Rather, it tries to summarize for the designer, installer or developer the technical data provided to Eco Friendly Tiles by the independent tile manufacturer. This information may not be applicable in all geographical areas. It is the responsibility of those individuals who are referring to this document to independently research and determine which tiles are suitable for a given project according to applicable British or International Standards and any governing legislative requirements. This document cannot be used as expert opinion, evidence or in any legal or administrative procedure unless authorized by Eco Friendly Tiles Ltd.